



# LEFROY BROOKS

1 8 2 8 T R O U T M A N S T R E E T  
R I D G E W O O D N E W Y O R K N Y 1 1 3 8 5 U S A  
T : + 1 ( 7 1 8 ) 3 0 2 5 2 9 2 F : + 1 ( 7 1 8 ) 3 0 2 4 1 7 7

## K1-2201

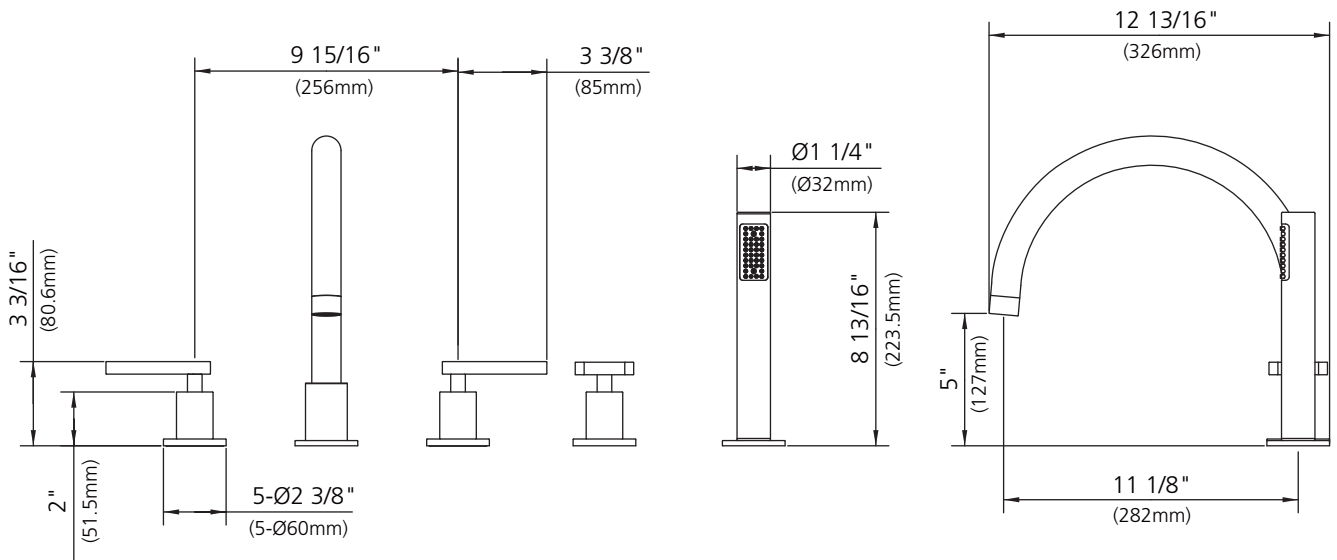
LEVER 5-HOLE BATH SET WITH PULL-OUT HAND SHOWER & DECK  
DIVERTER - TRIM ONLY, TO SUIT R1-4007 ROUGH

### DIMENSIONAL DATA SHEET

DATE: 17 August 2011

No: A66F366

©COPYRIGHT 2009. CHRISTO LEFROY BROOKS. ALL RIGHTS RESERVED.

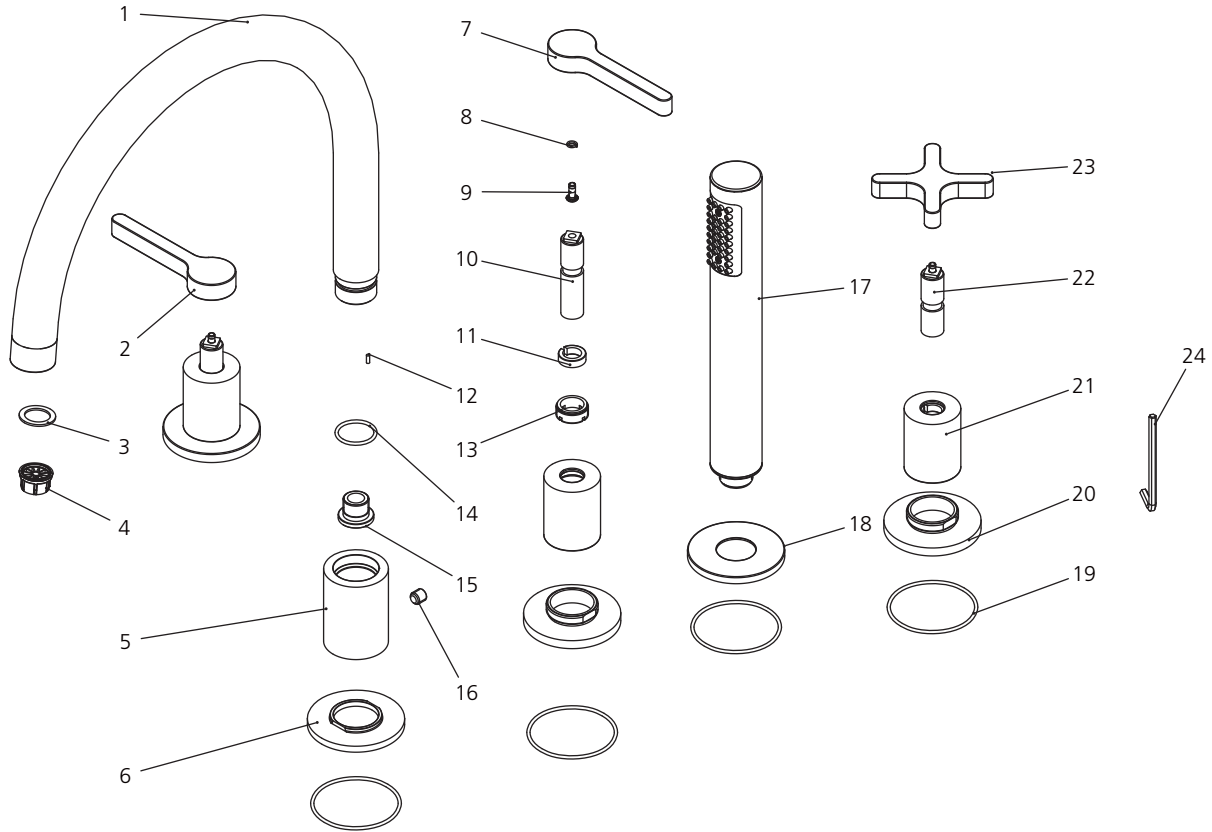


DIMENSIONS IN INCHES & MILLIMETRES

WHILST EVERY EFFORT IS MADE TO ENSURE THE ACCURACY OF THESE DATA SHEETS THEY ARE SUBJECT TO CHANGE WITHOUT NOTICE AS PART OF THE COMPANY'S PRODUCT DEVELOPMENT PROCESS

# K1-2201

LEVER 5-HOLE BATH SET WITH PULL-OUT HAND SHOWER &  
DECK DIVERTER - TRIM ONLY, TO SUIT R1-4007 ROUGH



1	Spout assembly (139842 )	10	Stem extension (110005)	19	O-ring (004640N)
2	Handle ( H ) (069699H)	11	Clip (012242)	20	Escutcheon (071033)
3	Oil-seal (010899)	12	Pin (003150)	21	Canopy (018438)
4	Aerator insert (114237R)	13	Adaptor (057507)	22	Stem extension (110006)
5	Canopy (000889)	14	O-ring (004007)	23	Diverter handle (069688)
6	Escutcheon (303454)	15	Adaptor (067591)	24	Allen key (031011)
7	Handle ( C ) (069699C)	16	Set screw (292565)		
8	Washer (013570)	17	Hand shower (S2111104)		
9	Screw (008154)	18	Escutcheon (071390)		

## Standards

IAPMO/cUPC Listed  
Meets A112.18.1  
ADA Compliant

### Please note :

Final achievable flow rate is dependent on the outlets fitted, see relevant outlets (spouts, roses, sprays) for fully assembled product flow rate.